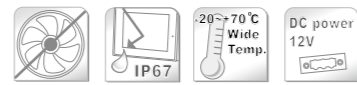




Features

- Aluminum alloy IP 67 compliant enclosure
- AC 90~264V power input
- DC12, 60W power output
- 88% high efficiency
- -20~70 °C wide operation temperature

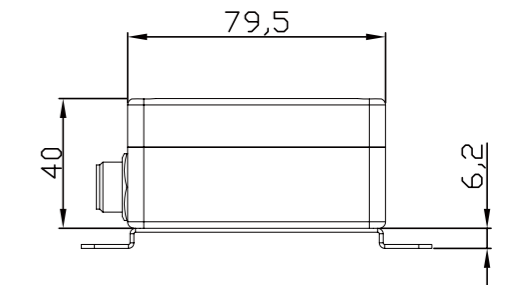
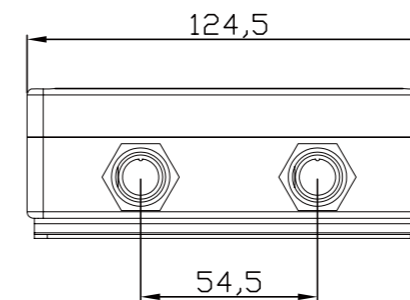
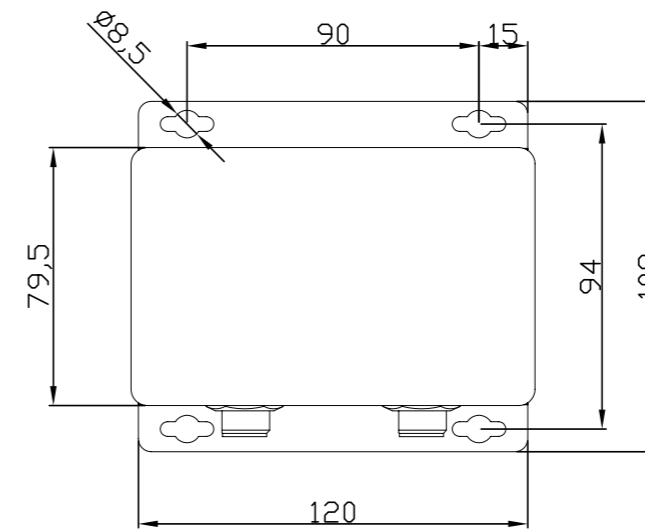


Specifications

Mechanical	
AC input voltage range	90~264V
Input frequency	47~63Hz
Efficiency	88%
Output Current	5A
Max. output power	60watts
Output voltage adjust range	12V±5%
Cover material	Aluminum
Output overload protection	112~132%
Output over voltage protection	110~150%
Hold up time	20ms@full load (typical)

Environmental	
Operating Temperature	-20~70 °C
Storage Temperature	-45~85 °C
Storage Humidity	5~95% @40 °C, non-condensing
Safety Standards	EN60950
EMC Standards	EN55022 class A, EN55024, EN61000-3-2,3, EN61000-4-2,3,4,5,6,8,11
Cooling	Fan-less
Dimension	124.5(W)x40(H)x79.5(D)mm
Net Weight	1.1kgs

Dimension



Unit : mm

Ordering Information

APW-4206 IP 67 water-proof 60W power adapter