

NEW

# APC-3X82/APC-3X83 Series

Performance IP 42/Intel Atom D525



# APC-3X82/APC-3X83 Series

APC-3582/APC-3782/APC-3982  
APC-3283/APC-3583/APC-3783/APC-3983



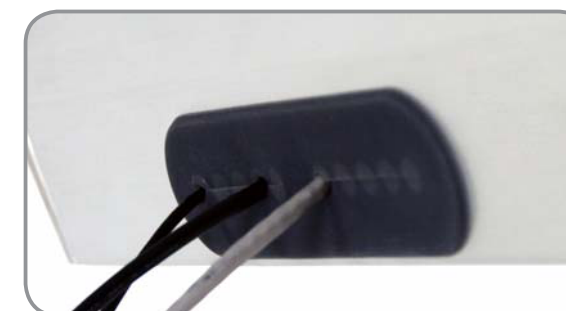
APC-3X82



APC-3X82  
Reliable Cable Bracket Design



APC-3X83 Series  
Steel Enclosure, Black Color



APC-3X82  
IP 42 Rubber Cover

## Features



Slim, Fanless Design



All Solid Capacitor  
Motherboard



IP 65 Except I/O Side



Wide Range DC 11~32V  
Power Input



Low Power  
Consumption

NEW

# APC-3X82/APC-3X83 Series

Performance IP42/Intel Atom D525

## Specifications

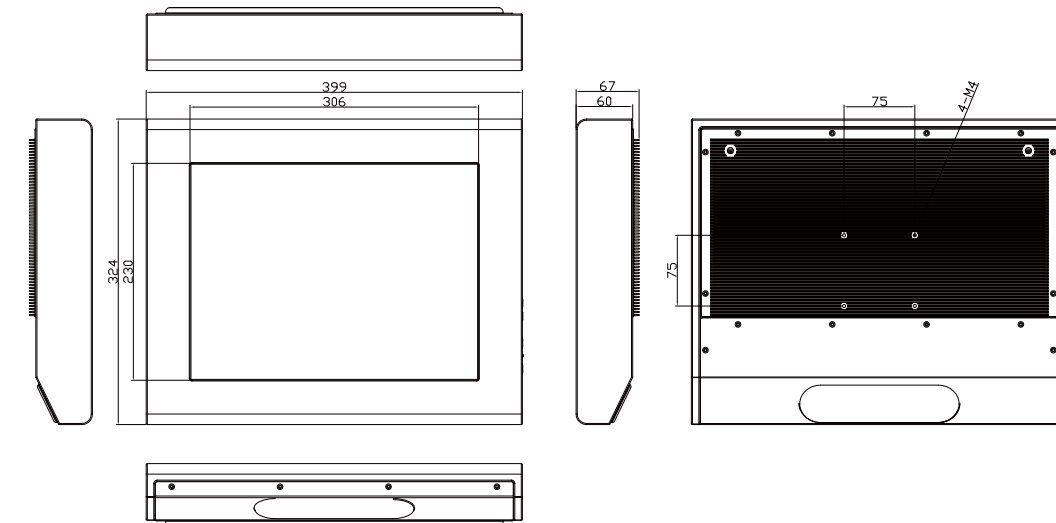
Model No.	APC-3282/3283 Q1/2012	APC-3582/3583	APC-3782/3783 Q1/2012	APC-3982/3983
<b>System</b>				
Processor	Intel Atom D525			
System Memory	1 x 204 Pin DDR3 800 MHz SO-DIMM slot, default 2GB			
System Chipset	Intel ICH8M			
External I/O Port	<ul style="list-style-type: none"> <li>• 4 x USB 2.0</li> <li>• 2 x RJ-45 LAN</li> <li>• 1 x DB-15 for RS-232 and RS-422/485 (1 to 2 Ycable)</li> <li>• 1 x DB-9 RS-232</li> <li>• 1 x DC Power input terminal block connector</li> <li>• 1 x 7 Pin terminal block for 2n/2out/1Ground/Switch</li> </ul>	<ul style="list-style-type: none"> <li>• 4 x USB 2.0</li> <li>• 2 x RJ-45 LAN</li> <li>• 1 x DB-15 for RS-232 and RS-422/485 (1 to 2 Ycable)</li> <li>• 1 x DB-9 RS-232</li> <li>• 1 x DC Power input terminal block connector</li> <li>• 1 x 7 Pin terminal block for 2n/2out/1Ground/Switch</li> <li>• 1 x external CF Slot (option)</li> </ul>		
Storage	<ul style="list-style-type: none"> <li>• 1 x 2.5" SATA HDD</li> <li>• 1 x CF Slot (internal)</li> </ul>	<ul style="list-style-type: none"> <li>• 1 x 2.5" SATA HDD</li> <li>• 1 x CF Slot (Internal), 1 x CF Slot external (option)</li> </ul>		
Expansion Slots	None			
OS Support	Windows XP Embedded, Windows Embedded Standard 7			
<b>LCD</b>				
Display Type	12" TFT-LCD	15" TFT-LCD	17" TFT-LCD	19" TFT-LCD
Max. Resolution	800x600	1024x768	1280x1024	1280x1024
Max. Color	262K		16.7M	
Luminance (cd/m <sup>2</sup> )	350	400 (APC-3582) 350 (APC-3583)	450 (APC-3982) 300 (APC-3983)	300
View Angle	H:140° / V:110°	H:160° / V:140° (APC-3582) H:125° / V:140° (APC-3583)	H:170° / V:160°	H:160° / V:160°
Backlight Lifetime	50,000 hrs			
<b>Touch Screen</b>				
Type	Resistive (optional) USB Interface			
Light Transmission	80%			
<b>Power Supply</b>				
Power Input	DC 11~32V			
<b>Mechanical</b>				
Construction	Stainless Steel Housing (APC-3X82) / Steel Housing (APC-3X83)			
IP Rating	Front panel IP65/ 6 sides IP42 with waterproof kit			
Mounting	VESA 75 x 75 Mount	VESA 75 x 75 Mount	VESA 75 x 75 Mount	VESA 100 x 100 Mount
Dimension	TBD	398(W)x316(H)x56(D) mm	TBD	470(W)x388.6(H)x71.8(D)
<b>Environmental</b>				
Operating Temperature	0~50 °C			
Storage Temperature	-20~60°C			
Storage Humidity	10~90% @40 °C non-condensing			
Certificate	CE/FCC Class A			

# APC-3X82/APC-3X83 Series

APC-3582/APC-3782/APC-3982  
APC-3283/APC-3583/APC-3783/APC-3983  
unit:mm

## Dimensions

APC-3582/APC-3583



APC-3982/APC-3983

